

FM FREQUENCY/TACHO/LINE SPEED METER



FEATURES:

- ⊙ 4-digit(FM4) or 5-digit LED(FM8) display
- ⊙ Thumb switch setting
- ⊙ 4 alarm modes(U-U),(U-d),(d-U),(d-d) selectable
- ⊙ Multi-function as frequency/tacho/line speed meter
- ⊙ Input & output isolated, high anti-interference
- ⊙ With hysteresis setting, the stability of meter is improved
- ⊙ High accuracy, the display of decimal point can be selectable, fix or float.

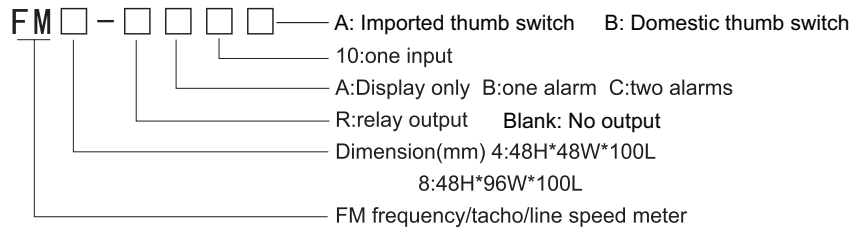


48H*96W*100L



48H*48W*100L

CODE ILLUSTRATION



PANEL ILLUSTRATION



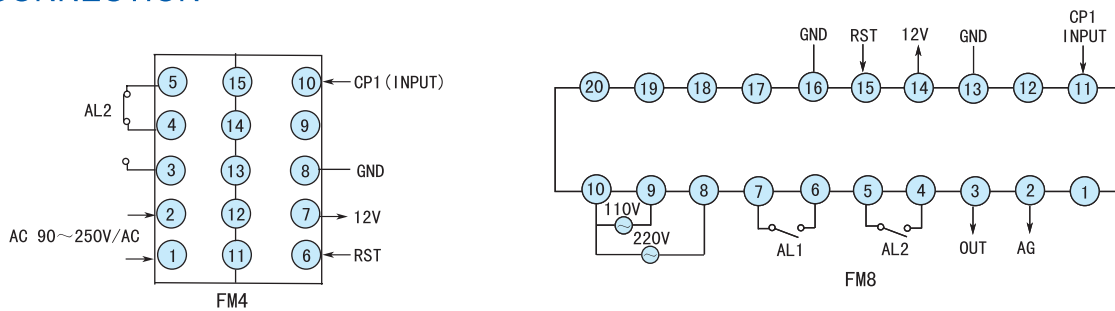
ORDERING CODE

Model	Dimension(mm)	LED display	Alarm	Measuring Range	Power supply
FM4-A10A/B	48H*48W*100L	4 digits	No	0.1~5KHz	85~265V AC/DC
FM4-RB10A/B	48H*48W*100L	4 digits	One	0.1~5KHz	85~265V AC/DC
FM8-A10A/B	48H*96W*100L	5 digits	No	0.1~5KHz	220V/110V AC
FM8-RB10A/B	48H*96W*100L	5 digits	One	0.1~5KHz	220V/110V AC
FM8-RC10A/B	48H*96W*100L	5 digits	Two	0.1~5KHz	220V/110V AC

TECHNICAL SPECIFICATION

Power supply	FM4:85~265V AC/DC FM8:220V AC±10% or 110V AC±10%
Energy consumption	<5W
Relay capacity	250VAC/3A (resistance load)
Auxiliary power supply	12VDC±10% 50mA max
Insulation impedance	≥100MΩ
Anti-disturbance	Power supply±1.6KVp-p; Input:±300Vp-p
Shocking proof	10~55Hz; 0.75mm
Ambient conditions	0~50℃, 35~85%RH
Input Signal	Square Wave or Sine Wave pulse signal; 5V≤ high level≤30V
Input resistance	≥10KΩ
Measuring Range	0.1~5KHz
Accuracy	0.1%FS±3 digits
Line speed meter range	0.0001~999.99 (FM8)

CONNECTION



Note:all connections are subject to the diagram on the meter for change if any.

DIMENSION

