

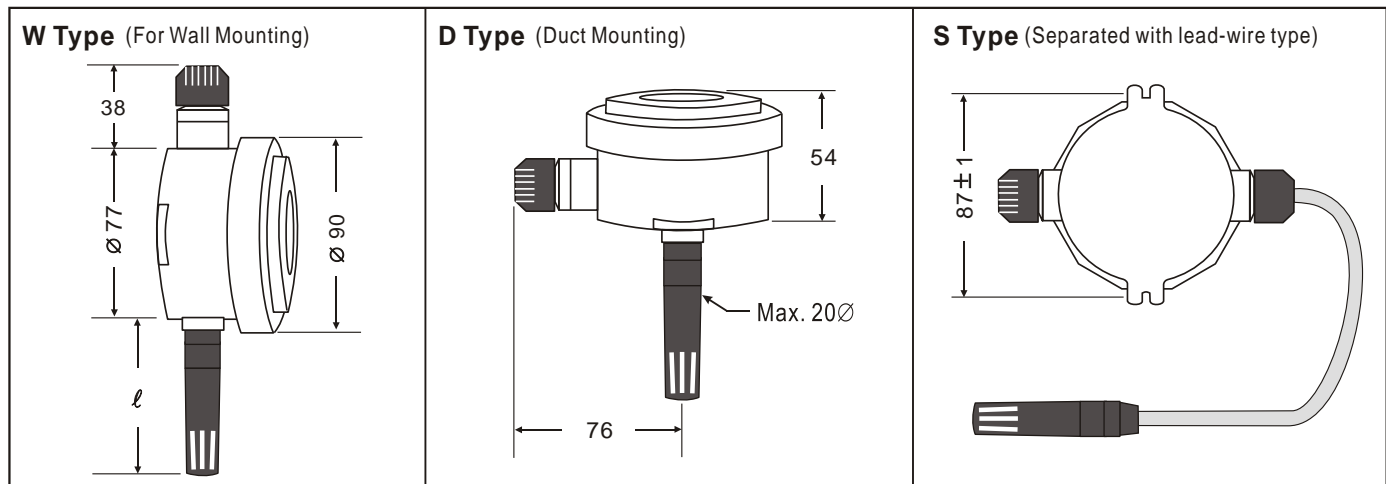
TRH-300 series utilizes a thin-film polymer capacitor to sense relative humidity, and a thin-film RTD to accurately sense temperature. The sensing element's multilayer dust, dirt, oil and common environmental chemicals.

- ✓ Fast, Stable & Accurate
- ✓ Watertight enclosure
- ✓ Compact size, easy mounting
- ✓ Excellent long-term stability
- ✓ Wide input voltage range (12~40Vdc)
- ✓ Available with either current or voltage output
- ✓ On-site, Zero & Span calibration



Model No.	Description	
TRH-301	Temperature Transmitter	
TRH-302	Humidity Transmitter	
TRH-303	Humidity & Temperature Transmitter	
Mounting Type	W	By Wall Mounting
	D	By Duct Mounting
	S	Separated with lead-wire Type

### Dimension: (mm)

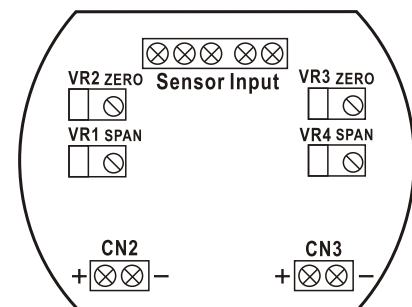


\* Used by 3-4mm or 1/8" Screw for mounting

### SPECIFICATION

Measurement Range	0~100% RH 0~100°C (-20~+80°C, 0~50°C, -40~+60°C also is available)
Accuracy (At 25°C)	±2% RH, 0.3°C
Longterm Stability	Better than 1% RH per year (Typical)
Temp. Compensation	± 0.008% RH/°C (Effect@0% RH)
Response	< 15 seconds (90% at +25°C in moving air at 0.5M/S)
Sensors	Humidity: Thin-film capacitor Temperature: RTD-Pt100W IEC751
Output	Humidity: 4~20mA (2-wire) Temperature: 4~20mA (2-wire), scalable ROption available for Input Signal output 0~1V, 0~5V, 0~10V or 1~5V
Supply Voltage	12~40V DC
Max. Pressure	2.0kg/cm <sup>2</sup>
Housing	ABS plastic watertight enclosure (IP65)
Connections	Liquid-tight nylon, cable bushing: $\varnothing 5\sim 10$ mm cables
Ambient Temperature	-40 ~ +85°C (-40 ~ +185°F)
Weight	Approx. 150g

### CALIBRATION & WIRING



- VR1): Span Adjustment for Humidity
- VR2): Zero Adjustment for Humidity
- VR3): Span Adjustment for Temperature
- VR4): Zero Adjustment for Temperature
- CN1): Sensor Input
- CN2): Output Humidity
- CN3): Output Temperature